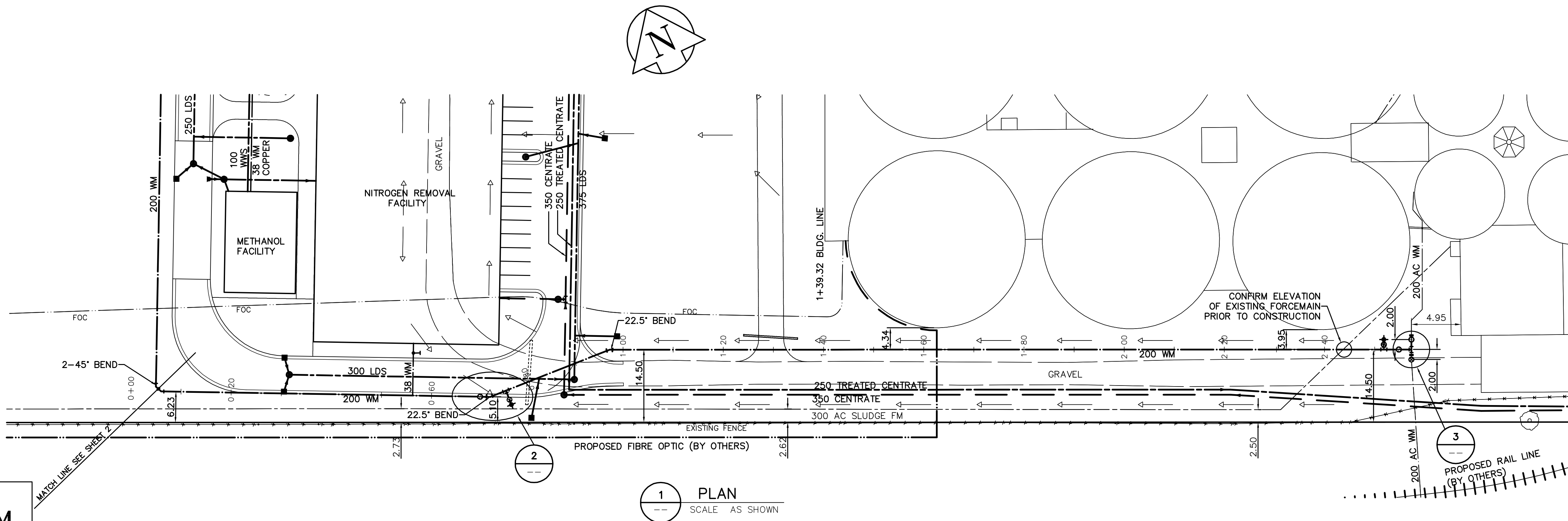
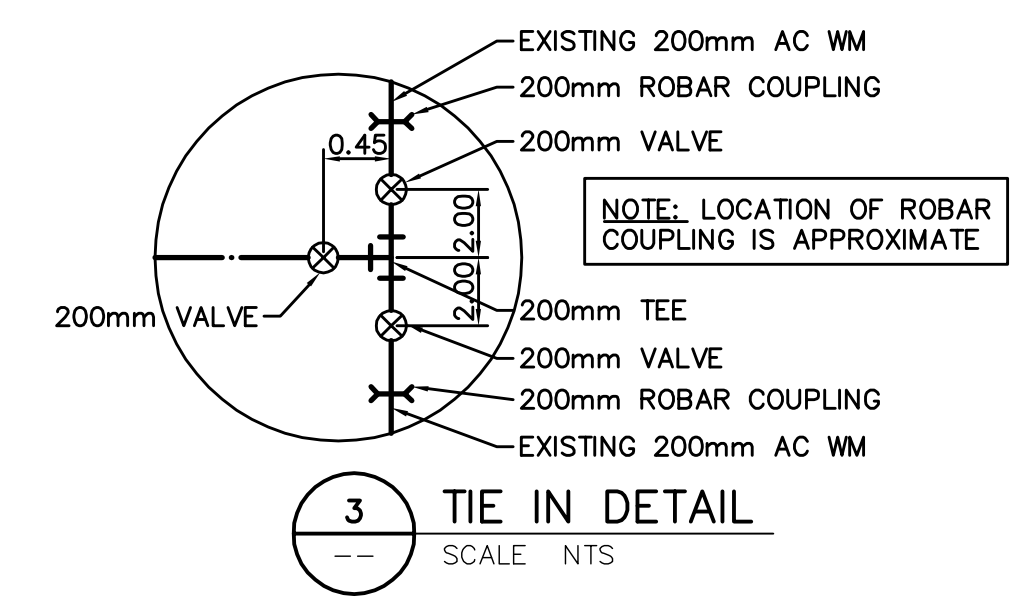
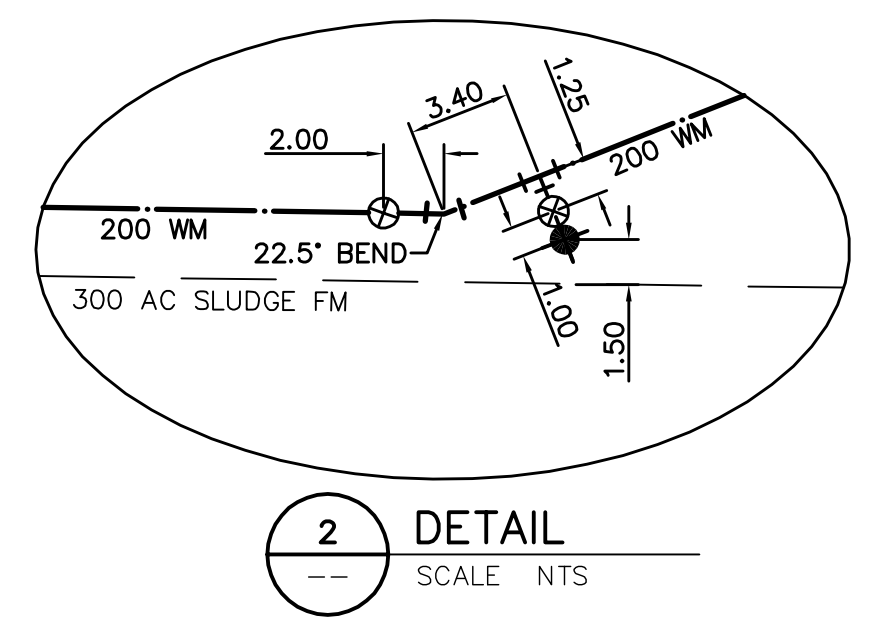


1 PROFILE
SCALE AS SHOWN



1 PLAN
SCALE AS SHOWN

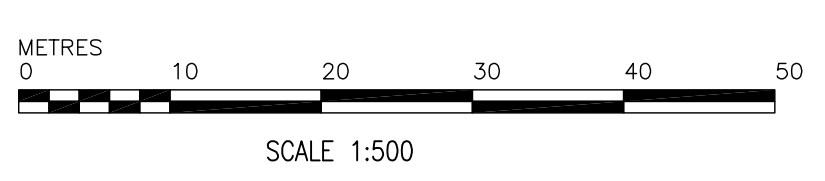


GENERAL NOTES:
 A. BASELINE MEASURED DOWN CENTERLINE OF WATERMAIN.
 B. EARTH TECH FIELD BOOK No. 4401
 C. LOCATION OF UNDERGROUND STRUCTURES AS SHOWN ARE BASED ON THE BEST INFORMATION AVAILABLE, BUT NO GUARANTEE IS GIVEN THAT ALL EXISTING UTILITIES ARE SHOWN OR THAT THE GIVEN LOCATIONS ARE EXACT. CONFIRMATION OF EXISTENCE AND EXACT LOCATION OF ALL SERVICES MUST BE OBTAINED FROM THE INDIVIDUAL UTILITIES BEFORE PROCEEDING WITH CONSTRUCTION.

AECOM

As of January 3, 2009, EarthTech became AECOM Canada Ltd.

AECOM AS-CONSTRUCTED
 SIG..... DATE.....



| | | | | | |
|--------------|---------------------|--------------|-------------------|---------------|----------------|
| 150 mm W.M. | WATERMAIN | 150 mm W.M. | HYDRO | M.T.S./F.O.C. | LIGHT STANDARD |
| ◇ | HYDRANT | + | CONCRETE | ○B | ○B |
| ○ | VALVE | ● | ASPHALT | ⊗ | ⊗ FE |
| 300mm L.D.S. | LAND DRAINAGE SEWER | 300mm L.D.S. | PROPERTY LINE | — | — |
| 250mm W.W.S. | WASTEWATER SEWER | 250mm W.W.S. | TEST HOLES | | |
| ○ | MANHOLE | ● | ELEVATION | (32.750) | ← |
| □ | CATCH BASIN | ⬇ | TREE | — | — |
| ▽ | CURB INLET | ⬇ | ANODE | — | — |
| + | JUNCTIONS | — | CONCRETE SIDEWALK | — | — |
| — | CULVERT | — | FENCE | — | — |
| — | GAS | — | | | |
| EXISTING | LEGEND - PLAN | PROPOSED | EXISTING | LEGEND - PLAN | PROPOSED |

AECOM
 Certificate of Authorization
 AECOM Canada Ltd.
 Original dated on:
 No. 4671 Date: 2006/05/15

| | | | |
|--|------------|-----|--|
| 13-027 W. side Main St. on the grounds of the North End Treatment Plant, Tbt. on top of Conc. pit in front of main ELEV. bldg., 22.3m E. of line of most Ely. wall & 32.8m S. of most Nly. wall of main bldg. (ties to 101) ELEV. = 231.261m | | | |
| 02 AS-CONSTRUCTED DRAWING | 09/02/18 | CD | |
| 01 ISSUED FOR CONSTRUCTION | 06/08/30 | GLG | |
| 00 ISSUED FOR TENDER | 06/05/15 | FC | |
| NO. REVISIONS | DATE | BY | |
| | 2006/01/16 | | |

EarthTech
 A Tyco International Ltd. Company

| | |
|---------------------------------|--|
| DESIGNED BY: GSK | CHECKED BY: KWF |
| DRAWN BY: FC | APPROVED BY: JEH |
| SCALE: HOR: 1:500 VERT: 1:50 | RELEASED FOR CONSTRUCTION BY: K. MARTENS |
| DATE: 2006/01/16 | DATE: 2006/05/15 |

ENGINEER'S SEAL
 ORIGINAL SIGNED BY: K.W. FITCHETT
 2006/05/15
 CONSULTANT DRAWING NO. C3.01

THE CITY OF WINNIPEG
 WATER AND WASTE DEPARTMENT
 ENGINEERING DIVISION

NEWPC CENTRATE NUTRIENT TREATMENT NITROGEN REMOVAL FACILITY

CIVIL
 WATERMAINS - PLAN AND PROFILE
 SHEET 1

CITY FILE NUMBER
 SHEET OF
 CITY DRAWING NUMBER
 1-0101C-C0005-001-02